

FREESPAN™ Belt

FREESPAN™ Belt is a polyurethane timing belt consisting of thermoplastic polyurethane and steel cords. This belt is suitable for synchronous transportation and power transmission requiring accurate positioning. The tension members are parallel to each other to ensure a suitable synchronous drive. Polyurethane also has good physical properties and good chemical resistance.

Belt temperature range is from -30°C to 80°C .

Belt type, Dimensions & Product code

Trapezoidal Tooth Profile

Standard color : White
 Polyurethane : Thermoplastic Polyurethane Shore A 92
 Standard Cords : S and Z zinc-coated steel cord

Tooth profile	Standard Dimensions	Thickness (mm)	Roll Length	Width(mm)	Minimum Pulley teeth		Product Code	Belt Options		
					2 Shafts	Ω Layout		Joined belt	Cleats	Fabric Type
T5		2.2	100m	8	12	18	25 T5-100000-***-*** (Belt Width: 25mm, Length: 100000mm, ML: Open end, MJ: Joined)	<input type="checkbox"/>	<input type="checkbox"/>	<input type="checkbox"/>
				10						
				16						
				25						
				32						
				50						
				75						
				100						
T10		4.5	100m	10	14	20	25 T5-100000-***-*** (Belt Width: 25mm, Length: 100000mm, ML: Open end, MJ: Joined)	<input type="checkbox"/>	<input type="checkbox"/>	<input type="checkbox"/>
				16						
				25						
				32						
				50						
				75						
				100						
				150						
AT5		2.7	100m	8	15	25	25 T5-100000-***-*** (Belt Width: 25mm, Length: 100000mm, ML: Open end, MJ: Joined)	<input type="checkbox"/>	<input type="checkbox"/>	<input type="checkbox"/>
				10						
				16						
				25						
				32						
				50						
				75						
				100						
AT10		4.5	100m	10	15	25	25 T5-100000-***-*** (Belt Width: 25mm, Length: 100000mm, ML: Open end, MJ: Joined)	<input type="checkbox"/>	<input type="checkbox"/>	<input type="checkbox"/>
				16						
				25						
				32						
				50						
				75						
				100						
				150						
L		3.60	3937inch (100m)	0.37inch (9.5mm)	14	20	050 L-39370-***-*** (Belt Width: 050 inch, Length: 39370 inch, ML: Open end, MJ: Joined)	<input type="checkbox"/>	<input type="checkbox"/>	<input type="checkbox"/>
				0.50inch (12.7mm)						
				1.00inch (25.4mm)						
				2.00inch (50.8mm)						
				4.00inch (101.6mm)						
H		4.36	3937inch (100m)	0.50 inch (12.7mm)	14	20	050 L-39370-***-*** (Belt Width: 050 inch, Length: 39370 inch, ML: Open end, MJ: Joined)	<input type="checkbox"/>	<input type="checkbox"/>	<input type="checkbox"/>
				0.75 inch (19.1mm)						
				1.00 inch (25.4mm)						
				2.00 inch (50.8mm)						
				4.00 inch (101.6mm)						
6.00 inch (152.4mm)										

Belt type, Dimensions & Product code

Round Tooth Profile

Standard color : White
 Polyurethane : Thermoplastic Polyurethane Shore A 92
 Standard Cords : S and Z zinc-coated steel cord

Tooth profile	Standard Dimensions	Thickness (mm)	Roll Length	Width(mm)	Minimum Pulley teeth		Product Code	Belt Options		
					2 Shafts	Ω Layout		Joined belt	Cleats	Fabric Type
HTD 5M		3.6	100m	10	14	20	<p>20 HTD 8M - 100000 - * *</p> <p>Belt Width (mm) Length (mm) Tooth profile ML: Open end MJ: Joined</p>	<input type="radio"/>	<input type="radio"/>	<input type="radio"/>
				15						
				25						
				50						
				100						
				150						
HTD 8M		5.6	100m	10	20	30		<input type="radio"/>	<input type="radio"/>	<input type="radio"/>
				15						
				20						
				30						
				50						
				85						
HTD 14M		10.0	50m	25	28	28		<input type="radio"/>	<input type="radio"/>	<input type="radio"/>
				40						
				55						
				85						
				100						
				115						
150										

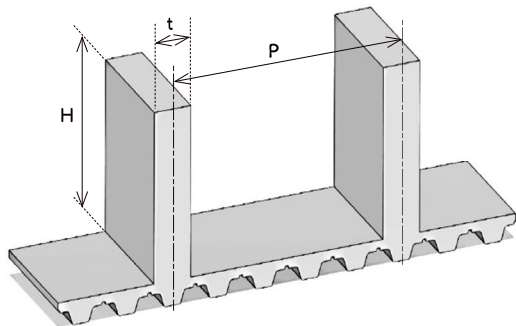
I Synchronous Power Transmission

Profile (Cleats)

FREESPAN™ Belt can be welded variously shaped Cleats on the Belt.

Standard Rectangle Cleats

Standard color : White
 Polyurethane : Thermoplastic Polyurethane Shore A 92



Thickness (t)	2mm ~ 10mm (± 0.5mm)	
Height (H)	20mm ~ 50mm (± 0.5mm)	
Tolerance of the positioning	± 0.5mm	
Cleats Pitch Tolerance (P)	≤ 250mm	± 0.5mm
	250mm < ≤ 500mm	± 1.0mm
	500mm <	± 2.0mm

Special Cleats

The special cleats are available. Please contact us for details.

